

革 · 命 · 性 · 產 · 品

超低浴比 1:4~5，節省能源

新世代環保型染色機

Low liquor ratio • Low pollution

Energy saving



AM-OH 高溫高速染色機

High temperature rapid dyeing machine

AM-OH 高溫高速染色機

High temperature rapid dyeing machine

Low water consumption & Low pollution

Extreme low liquor ratio 1:4~5, minimize the water, chemical and energy consumption, waste water treatment also decreased.

超低浴比、低污染

浴比極低約1:4~5，可大幅降低水、助劑與能源之消耗並減少廢水處理量。

Uniform dyeing

Reasonable loading capacity for each chamber to prevent from too long fabrics length and the creasing due to the fabrics gravity. This ensure the higher dye up take and minimize the fabric cycle time. Therefore the uniform dyeing also achieved.

均染性佳

每槽容量適當，避免布匹因重力之擠壓所造成之皺紋，縮短布匹循環時間，布匹平穩循環，染液與布匹充份接觸，均染性佳。

Fabric spread out circulation

Equipped with the rectangular divergent dyeing tube which help the fabrics to spread out while circulation in dyeing tube then flow down to the dyeing chamber smoothly without any assistance of mechanism. Due to the fabrics natural irregularly changeable but orderly storage on the dyeing chamber this prevent from the crease mark problem.

布匹呈展開狀循環

矩型漸開狀導布管，促使布匹循環呈展開狀，自然有序但不規則的排列堆積於缸內，無摺痕與皺紋等缺點。

Lower tension and soft flow good for spandex

Lower tension and soft nozzle pressure improve the elasticity of spandex fabrics.

低張力，適染彈性布匹

張力較低，不致破壞彈性纖維，可保持布匹彈性。

Free of crease mark and edge curling improve touch feeling

The detwisting effect for high twisted fabrics and better touch feeling are improved by its special nozzle and dyeing tube construction.

This also achieves free of crease marks, especially prevents the edge curling problem of tricot fabric.

防止摺痕、捲邊、促進手感

特殊導布管與噴嘴之結構，對高撚度之布匹，具有解撚促進手感、防止摺痕之優點，並可防止經編布之捲邊現象。

Automatic chemical dosing system

Both of manual and automatic chemical dosing system are available. Automatic stirring, dilution and feeding of dyestuff or chemicals by dosing which minimize operator's error as well as improve the dyeing uniformity.

自動加藥，均染性佳

具有自動及手動加藥系統，可自動攪拌，並依需要定時定量注入各種染料與助劑，減少人為加藥所造成之色花

Auto cleaning system

The automatic clean system is equipped to wash the tank after dyeing cycle to prevent from dirtying fabrics of next batch.

自動洗缸系統

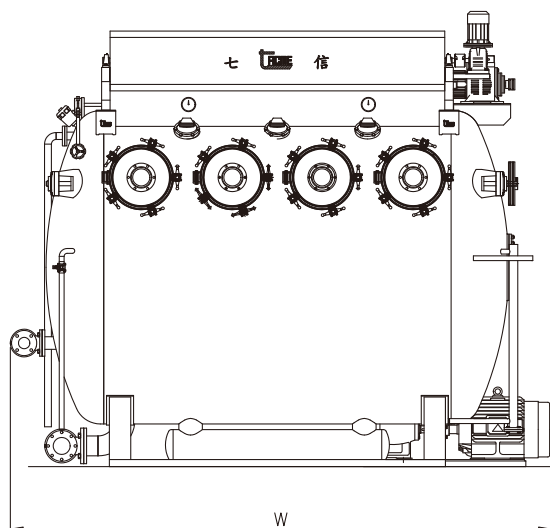
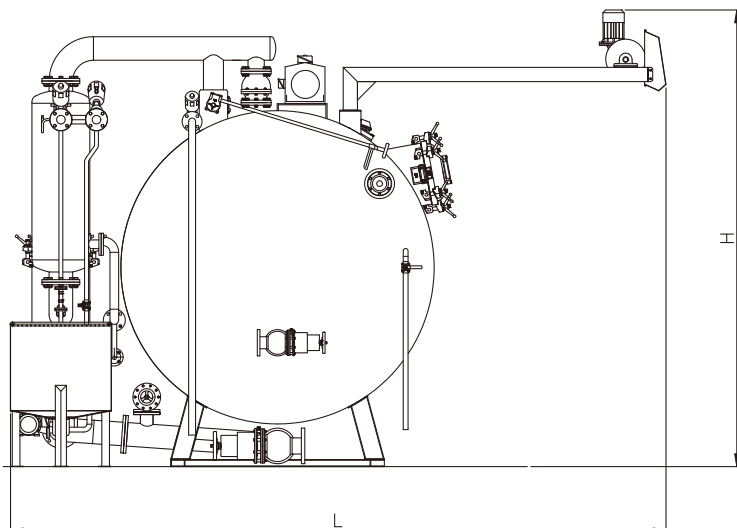
自動洗缸系統防止污染布匹。

Special overflow rinsing system

The special overflow rinsing system ensure the better washing effect not only shorten the washing time but also minimize the water consumption.

特殊溢流水洗裝置

特殊溢流水洗裝置，可充份洗淨布匹，減少耗水量並縮短水洗時間。





Save space requirement

Compact construction saves the required space.

節省空間:圓筒型結構，不佔位置，節省廠房空間。

SPECIAL DEVICES FOR OPTION

- A. Seam detector to show the actual fabric running speed and its cycle time per revolution as well as finding the seam automatically.
- B. Flow meter to control the water level precisely.
- C. Second chemical tank to prepare the dyestuff and chemical separately.
- D. Preheating tank for water preheating to save dyeing cycle time.
- E. Power drain system to speed draining.

數種選購配件可依需要選用

- A. 布頭自動檢出裝置：
可供顯示布速，布匹循環時間與自動檢出布頭。
- B. 流量計：可精確控制液量。
- C. 第二加藥筒：用以預備不同的染料與助劑。
- D. 預熱筒：將水預熱，以縮短染程。
- E. 強制排水系統：縮短排水時間。

規 格 SPECIFICATION

型號 Model	AM-OH 25	AM-OH 75	AM-OH 125	AM-OH 250	AM-OH 500	AM-OH 750	AM-OH 1000	
說明 Description								
槽 數 No. of Chamber	1	1	1	2	4	6	8	
最高工作溫度 Max. Working Temp.	138°C	138°C	138°C	138°C	138°C	138°C	138°C	
容量(公斤) Max. Capacity (kg)	25	75	125	250	500	750	1000	
外觀尺寸 Dimension (m/m)	寬度 (W)	2400	2500	2150	3300	4050	5900	8200
	長度 (L)	2800	3000	4000	4200	4200	4350	4500
	高度 (H)	2600	2800	3300	3300	3300	3300	3300



七信工業股份有限公司
ACME MACHINERY INDUSTRY CO., LTD.

338台灣省桃園縣蘆竹鄉長興路三段219巷9號
NO. 9, LANE 219, SEC. 3, CHANG-SHING RD.,
LU-CHU HSIANG, TAOYUAN HSIEN, TAIWAN.
TEL:886-3-3247291~6 FAX:886-3-3247297
E-mail:acmemach@ms26.hinet.net



AM-OH 75



AM-OH 300



AM-OH 600



AM-OH 1200