

革 · 命 · 性 · 產 · 品

新世代環保型染色機

超低浴比 1:4~7, 節省能源

LOW LIQUOR RATIO
LOW POLLUTION

ENERGY SAVING



AM-OHE

高溫高速溢流染色機

HIGH TEMPERATURE OVER FLOW RAPID DYEING MACHINE

AM-OHE 高溫高速溢流染色機

HIGH TEMPERATURE OVER FLOW RAPID DYEING MACHINE

■ 超低浴比 1:4~7

浴比極低，大幅降低耗水、耗電量暨染料助劑等，並改善環境污染與廢水處理。

■ 不產生折痕，促進手感

特殊結構設計，使布匹解捻並呈展開狀循環，避免產生折痕並促進手感。

■ 布匹呈展開狀循環

特殊噴嘴與染布管結構，使布匹呈展開狀循環，不需借助擺布裝置而自然且有秩序但不規則的堆積於染布槽內以避免布匹產生折痕。

■ 均染性佳

每管合理染布量，避免布匹長度太長造成染花；縮短布匹循環時間，同時藉助高流量泵浦增加布匹與染液之交換次數確保均染效果。

■ 自動加藥系統

同時兼備手動與自動加藥系統可自動攪拌、稀釋加藥或依程式設定線性遞增或遞減加藥，以防止人為操作不當並促進均染效果。

■ 特殊溢流水洗裝置

特殊溢流水洗裝置，增加洗淨效果並縮短水洗時間與減少耗水量。

■ 低張力不起毛羽

純溢流式噴嘴，水流無壓力，完全防止布面起毛羽；低張力，保持布匹彈性，特別適合彈性布匹染色。

■ EXTREME LOW LIQUOR RATIO DYEING

Very low liquor ratio 1:4~7, this achieves lower consumption of dye stuff, chemicals, energy and water as well as cost of effluent treatment.

■ FREE OF CREASE MARK, IMPROVE FABRIC TOUCH FEELING

The special dyeing tube and nozzle construction help of fabric spreading out while circulation. This achieves better fabric touch feeling & eliminates crease marks.

The fully overflow nozzle ensures pillingless of fabrics.

■ FABRIC SPREAD OUT CIRCULATION

The fabric is spread out in the dyeing tube when it leaves the soft flow dyeing system & drops down smoothly into the dyeing chamber without any plaitdown mechanism. Due to this the fabric orderly but irregularly storage in the dyeing chamber while circulation. This also prevent from crease marks.

■ UNIFORM DYEING

Reasonable loading capacity for each chamber prevents too long fabric length in each chamber, minimizes fabric cycle time. Heavy duty pump ensures very high pumping rate of dye liquor. This feature ensures high exchange of dye liquor with fabric, thus uniform dyeing is achieved.

■ AUTOMATIC CHEMICAL DOSING SYSTEM

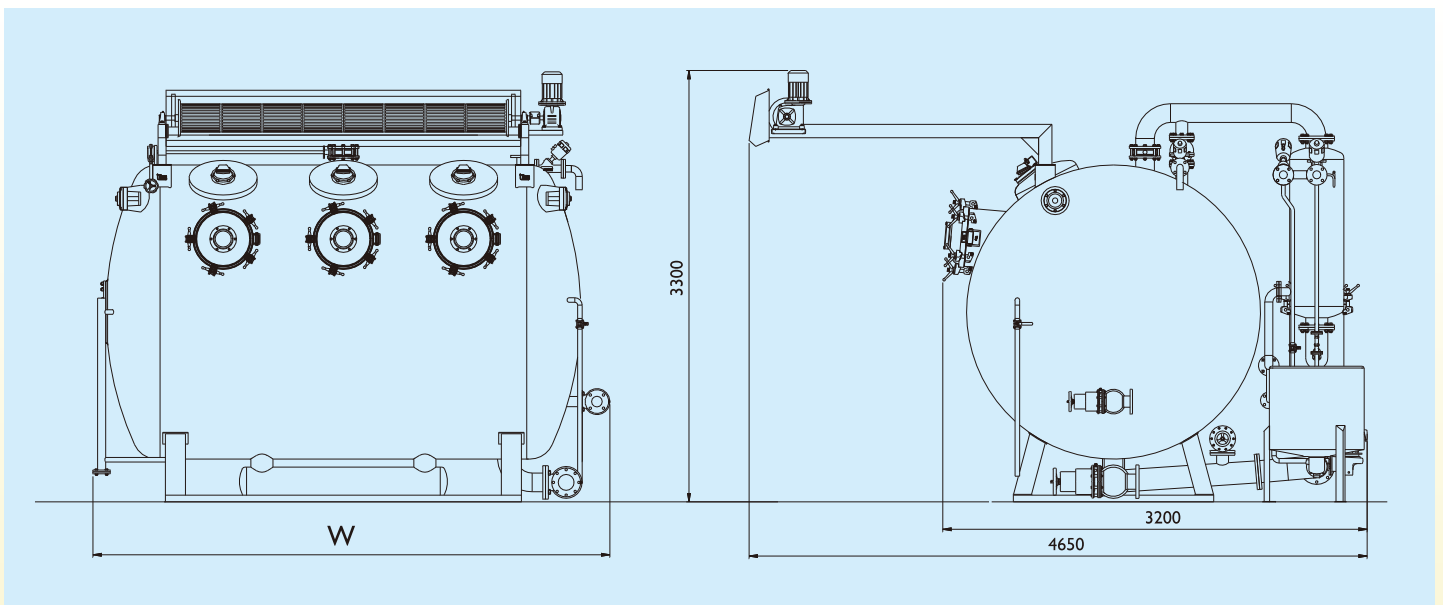
Both manual & automatic feeding systems are available, automatic stirring, dilution & feeding of dyestuff or chemicals within a preset time by linearly, progressively or degressively. This help to reduce operator error & improve dyeing uniformity.

■ SPECIAL OVER FLOW RINSING SYSTEM

The special overflow rinsing system ensures better washing and minimize water consumption, the washing time also reduced.

■ LOW TENSION AND PILLINGLESS

Equipped with fully overflow nozzle which prevent from pilling and low tension circulation achives the best elasticity of lycra fabrics.



其他特色

1. 節省佔地空間
2. 表面噴玻璃珠處理，防止沾污
3. 內面鏡面拋光，防止鉤紗
4. 助劑筒間接攪拌，攪拌均勻防止染料凝結
5. 裝設鐵氟龍板，減少磨擦力使布匹易於移動，防止布匹起毛
6. 同時配備電腦與一般溫度控制器，可全自動控制或半自動控制
7. 布頭檢出裝置，節省找布頭時間



Other features

1. Save space requirement.
2. Outer surface of machine is glass bead blasted.
3. Inner surface of machine has a mirror like polished to avoid fabrics pilling.
4. Indirect mixing system of addition tank avoids coagulation of sensitive dye stuff.
5. Teflon sheet in each chamber ensures smooth movement of fabrics & avoids pilling.
6. Machines equipped with both microprocessor and temperature controller can be operated by fully automatic or semiautomatic.
7. Seam detector to show the actual fabric running speed, and its cycle time per revolution. Seam can also be detected automatically.

選購

- 變頻器，可使泵浦穩定運轉，變換流量，節省耗電量
- 流量計，可精確控制進水量
- 預熱筒，可回收熱水並縮短染色時間，增進染缸效率
- 雙加藥筒，方便備藥提升自動化程度，增進染缸效率
- 強制排水，節省排水時間
- 聯立式加藥系統，確保連續穩定加藥

Optional devices

- Inverter to start the machine and control the liquor flow rate smoothly, the power consumption also saved.
- Flow meter to control the water level accurately.
- Preheating tank to recovery the hot water and save the total processing cycle time.
- Twin-chemical tank can be equipped to prepare the chemicals and dyes individually and feeding automatically.
- Power drain to save the drain time.
- Simultaneous chem, feeding system to make sure continuous and stable feeding.

規格 SPECIFICATIONS

型號 Model		AM-OHE 75	AM-OHE 150	AM-OHE 300	AM-OHE 450	AM-OHE 600	AM-OHE 900
說明 Description							
最高工作溫度 Max. Working TEMP.		138°					
管數 No. of Chambers		1	1	2	3	4	6
容量 (公斤) Max. Capacity (kg)		75	150	300	450	600	900
佔地面積 Space Required	寬度(W) Width m/m	2400	2500	3000	3800	4700	6600



七信工業股份有限公司
ACME MACHINERY INDUSTRY CO., LTD.

338台灣省桃園縣蘆竹鄉長興路三段219巷9號
NO. 9, LANE 219, SEC. 3, CHANG-SHING RD.,
LU-CHU HSIANG, TAOYUAN HSIEN, TAIWAN.
TEL:886-3-3247291~6 FAX:886-3-3247297
E-mail:acmemach@ms26.hinet.net