

革 · 命 · 性 · 產 · 品

新世代環保型染色機

超低浴比 1:4~5，節省能源

LOW LIQUOR RATIO
LOW POLLUTION

ENERGY SAVING



AM-OHD

高溫高速溢流染色機

HIGH TEMPERATURE OVER FLOW RAPID DYEING MACHINE

AM-OHD 高溫高速溢流染色機

AM-OHD HIGH TEMPERATURE OVER FLOW RAPID DYEING MACHINE

獨特的溢流染色系統

具備獨特的溢流染色系統，泵浦循環量超大，染液快速循環，提高染液與布匹接觸，促進均染效果。

超低浴比

浴比極低約1:4~5，可大幅降低水、助劑與能源之消耗並減少廢水處理量。

防止布面起毛、低張力、彈性佳

溢流式噴嘴液流柔順，防止強力水流衝擊布匹造成起毛；張力極低，避免破壞彈性纖維布匹之彈性。

防止摺痕·均染性佳

每槽容量適當，避免布匹因重力之擠壓所造成之皺紋，縮短布匹循環時間，布匹平穩循環，染液與布匹充份接觸，均染性佳。

布匹呈展開狀循環

矩型漸開狀導布管，促使布匹循環呈展開狀，自然有序但不規則的排列堆積於缸內，無摺痕與皺紋等缺點。

SPECIAL OVER FLOW DYEING SYSTEM

Equipped with the fully over flow nozzle system and high flow rate circulation pump which improve the high interchange of the dye liquor with fabrics and achieves the uniform dyeing.

EXTREME LOW LIQUOR RATIO

Extreme low liquor ratio 1:4~5 minimize the water, chemical and energy consumption, wasted water treatment also highly decreased.

FREE OF PILLING, LOW TENSION, HIGH ELASTICITY

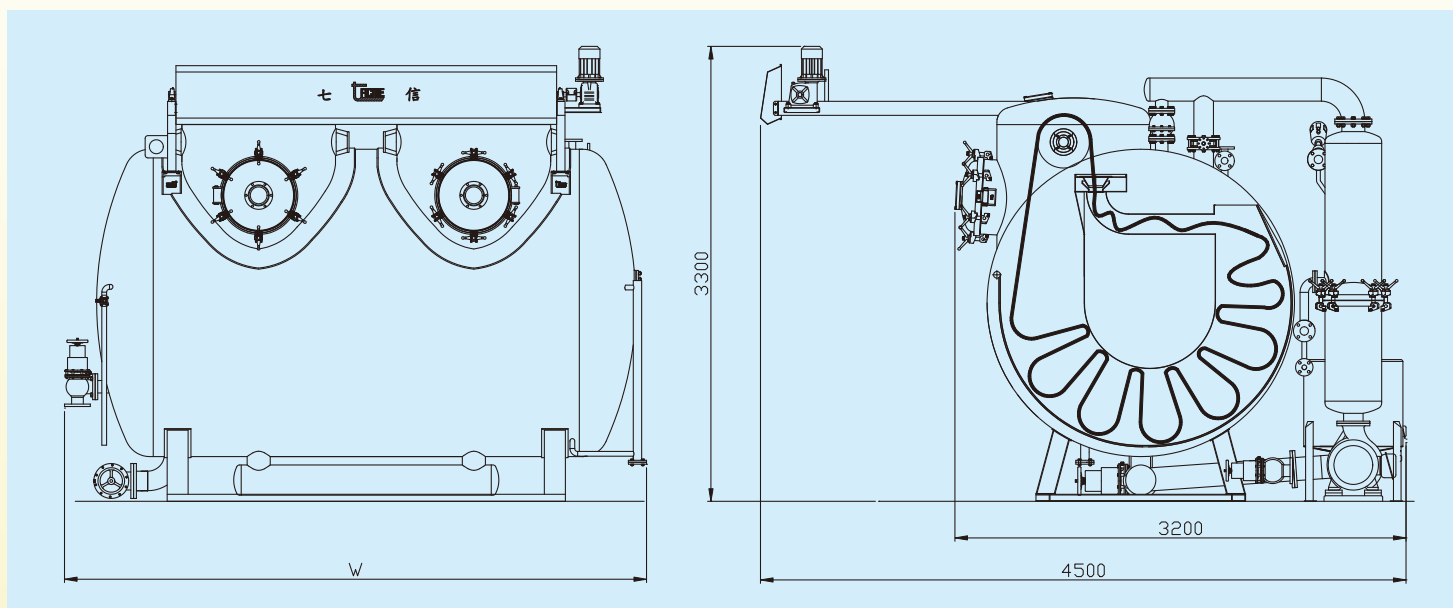
The soft and smooth dye liquor flow prevent from the pilling problem which usually occur at jet flow dyeing machine. The low tension avoids the elastic fatigue of spandex fabric.

FREE OF CREASE MARK UNIFORM DYEING

Reasonable loading free of crease mark capacity for each chamber to prevent from too long cycle time and the creasing due to the fabrics gravity. This ensure the higher dye up take and minimize the fabric cycle time. Therefore the uniform dyeing also achieved.

FABRIC SPREAD OUT CIRCULATION

Equipped with the rectangular divergent dyeing tube which help the fabrics to spread out while circulation in dyeing tube then flow down to the dyeing chamber smoothly without any assistance of mechanism. Due to the fabrics natural irregularly changeable but orderly storage on the dyeing chamber this prevent from the crease mark problem.





節省空間

圓筒型結構，不佔位置，節省廠房空間。

自動洗缸系統

自動清洗染缸，防止污染布匹。

特殊溢流水洗裝置

特殊溢流水洗裝置，可充份洗淨布匹，減少耗水量並縮短水洗時間。

自動加藥，均染性佳

具有自動及手動加藥系統，可自動攪拌，並依需要選擇不同曲線定時定量注入各種染料與助劑，減少人為加藥所造成之色花。

數種選購配件可依需要選用

- A. 布匹自動檢出裝置：
可供顯示布速，布匹循環時間與自動檢出布頭。
- B. 流量計：可精確控制液量。
- C. 第二加藥筒：用以預備不同的染料與助劑。
- D. 預熱筒：將水預熱，以縮短染程。
- E. 強制排水系統：縮短排水時間。

SAVE SPACE REQUIREMENT

Compact construction saves the required space.

AUTO CLEANING SYSTEM

The automatic cleaning system is equipped to wash the tank after each dyeing cycle to prevent from dirtying fabrics of next batch.

SPECIAL OVERFLOW RINSING SYSTEM

The special overflow rinsing system ensure the better washing effect not only shorten the washing time but also minimize the water consumption.

AUTOMATIC CHEMICAL FEEDING SYSTEM

Both of manual and automatic feeding system are available. Automatic stirring, dilution and dosing of dyestuff or chemicals minimize operator error as well as improve the dyeing uniformity.

SPECIAL DEVICES FOR OPTION

- A. Seam detector to show the actual fabric running speed and its cycle time per revolution as well as finding the seam automatically.
- B. Flow meter to control the water level precisely.
- C. Second chemical tank to prepare the dyestuff and chemical separately.
- D. Preheating tank for water preheating to save dyeing cycle time.
- F. Power drain system to speed draining.

規格 SPECIFICATIONS

型號 Model		AM-OHD 25	AM-OHD 75	AM-OHD 150	AM-OHD 300	AM-OHD 600	AM-OHD 900	AM-OHD 1200	AM-OHD 1500	AM-OHD 1800	AM-OHD 2100	AM-OHD 2400
槽數 Number of Chamber	說明 Description	1	1	1	2	4	6	8	10	12	14	16
容量 (公斤) Max. Capacity (kg)		25	75	150	300	600	900	1200	1500	1800	2100	2400
外觀尺寸 Dimension	寬度(W) Width m/m	2100	2200	2500	3000	4100	5900	7500	9400	10900	12500	15000



AM-OHD 75



AM-OHD 300



AM-OHD 600



AM-OHD 900



AM-OHD 1200



AM-OHD 1500



AM-OHD 1800



七信工業股份有限公司 ACME MACHINERY INDUSTRY CO., LTD.

338台灣省桃園縣蘆竹鄉長興路三段219巷9號
NO. 9, LANE 219, SEC. 3, CHANG-SHING RD.,
LU-CHU HSIANG, TAOYUAN HSIEN, TAIWAN.
TEL:886-3-3247291~6 FAX:886-3-3247297
E-mail:acmemach@ms26.hinet.net